



Transforming the future together



The widest range of solutions



Over 35 years of experience in delivering technological solutions

We are a mobile robotics engineering company dedicated to the study, design, manufacture, commissioning and maintenance of automated intralogistics solutions through Automated Guided Vehicles (AGVs) systems.

Industrial experts in processes, connectivity and support for our customers. Thanks to in-depth market knowledge and our strong commitment to innovation, we are proud to bring to the market a new range of 360° solutions that covers the whole value chain and that perfectly meets the intralogistics needs of the new connected industry.

About us

Having the widest range of driverless vehicles in the market, ASTI Mobile Robotics has been awarded 5 years in a row leader of the European market.

ASTI Mobile Robotics is part of ASTI TechGroup, a group of companies related to technology and digital transformation. The team, which includes more than 300 members of 12 different nationalities, currently provides services to companies from 20 countries in Europe, North America, South America and Asia.

Conscious of the challenges of the digital transformation era, ASTI Talent & Technology Foundation works seamlessly to promote STEM vocations within the youngest population, running programs as STEM Talent Kid, STEM Talent Girl or ASTI Challenge.

Our mission

At ASTI, we transform ideas into reality and we increase the productivity of our customers by optimizing their competitiveness, flexibility and time to market. Your company success is our goal.

- We provide solutions for all kinds of loads and operations with the most extensive range of AGVs in the market.
- Major investment in R&D, operating two R&D and innovation teams, as well as digital transformation team.
- We build long-term partnerships with our customers.
- We work in every industrial sector.
- We provide your company with state-of-the-art technology implemented by experts.
- Preventive maintenance, corrective maintenance and remote maintenance.
- After sale service 24/7.



Connectivity



Experiencie



Digital transformation



Safety





Sectors of operation

At ASTI Mobile Robotics, we put our experience, technology and know-how at the service of your industry. Our mobile robotics solutions cover the entire value chain, and perfectly meet the intralogistics needs of the new connected industry.





Mouse line

Mouse AGVs are used for pulling trolleys. Epitomized by its ease of use and proven performance, our AGVs enable easier optimal performance which leads to high productivity and lower operating costs in your intralogistics operations. Now our range offers a new generation that incorporates enhanced functional features, keeping the essence of our well-known Mouse robots: more compact, agile, and connected.



Tractor line

Our Tractor robots are towing AGVs specialised in pulling several trolleys at the same time. With minimum dimensions, large capacity, and great maneuverability, our Tractor range is a strong, easy, safe, and flexible solution for logistics trains over long distances, both in indoor and outdoor environments.



Platform line

With smart navigation technology combined with software intelligence, this line of omnidirectional AGVs can perform multi-origin and multi-destination operations to meet the rigorous demands of your logistics processes.

- Our EBOTs are perfect for Goods to Person and Goods to robot applications. They have a compact design, load capacity up to 1000 kg and the latest safety features.
- Our QuadBOT models can transport pallets and containers up to 2000 kg. They can integrate lifting table, single or double conveyor, to adapt to the requirements of your project.



Forklift line

Forklift automated guided vehicles (AGVs) are an excellent choice for handling pallets and containers in manufacturing and distribution plants.

This wide range of laser-guided multipurpose vehicles guarantees totally safe operations. Our robots include counterbalanced, stacker and straddle models, as well as different configurations to offer the perfect solution for your project.



Boxmover line

Boxmover AMRs uses cutting edge technologies and advanced SLAM-Natural navigation that allows total flexibility, dynamic route planning and quick installation. They provide a safe and flexible transport of your small loads up to 300 kg.



UniBOT 2000 UniBOT1200
BidiBOT 1000 BidiBOT 2000



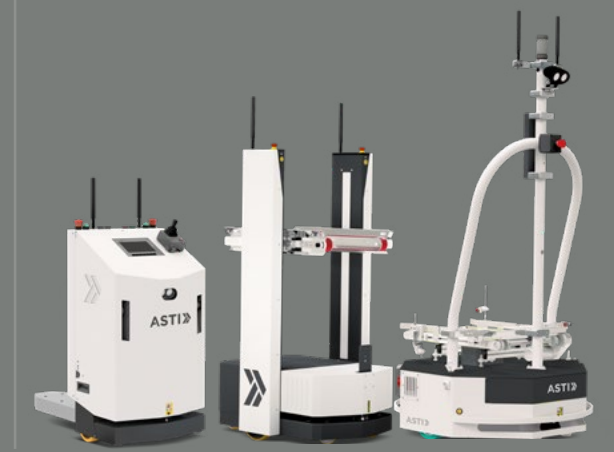
TriBOT 5000 TriBOT 10000



EBOT 350 EBOT 600 QuadBOT 1500 QuadBOT 2000
EBOT 1000



ProBOT FL1200 SPE 120
SPE 160 OSE 120CB CB 2000
SPE 200



ProBOT F ProBOT L ProBOT P



We have solutions that adapt to your internal logistics flows to increase your competitiveness, efficiency and flexibility.

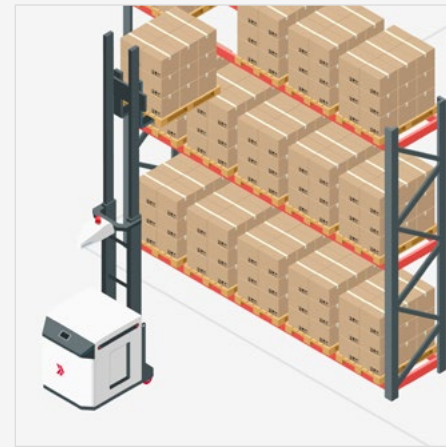


Applications

Our mobile robots are perfect to automate a large number of loads and applications in different environments.

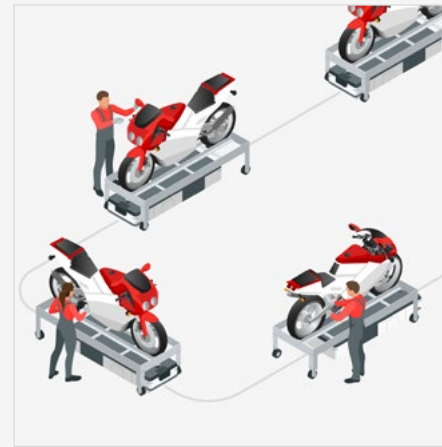


Storage operations



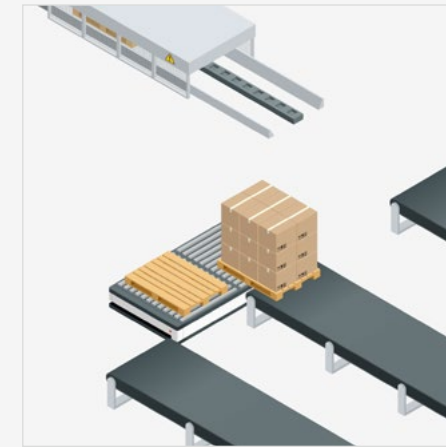
Vertical operations

Production flows



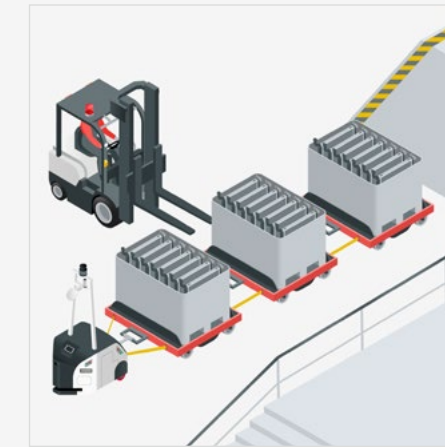
Assembly & subassembly

Material handling



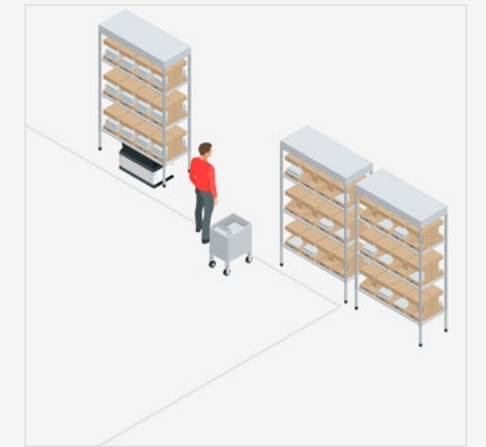
Line operations

Logistics trains

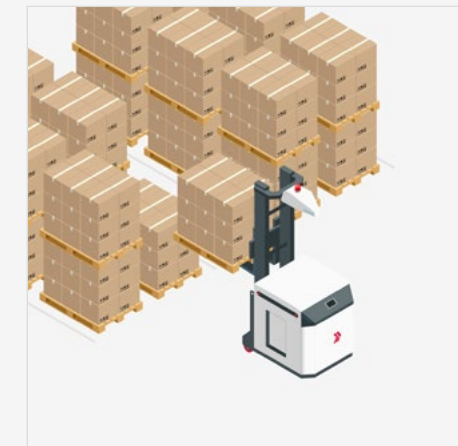


Milk run

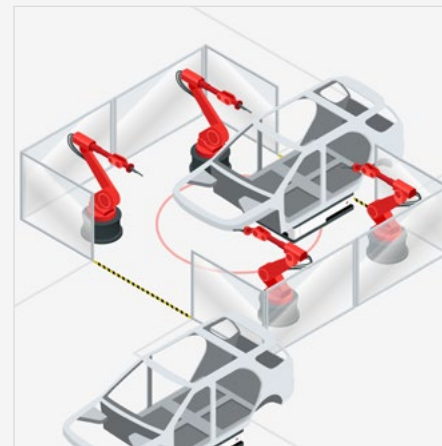
Goods to person



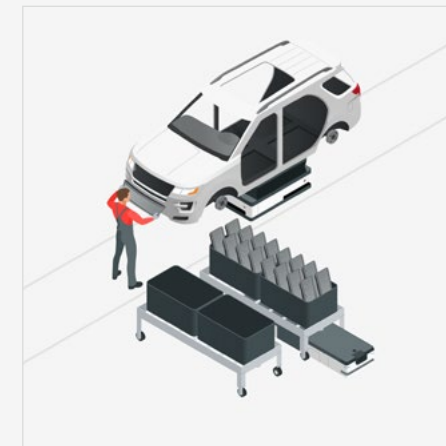
Picking & Putaway



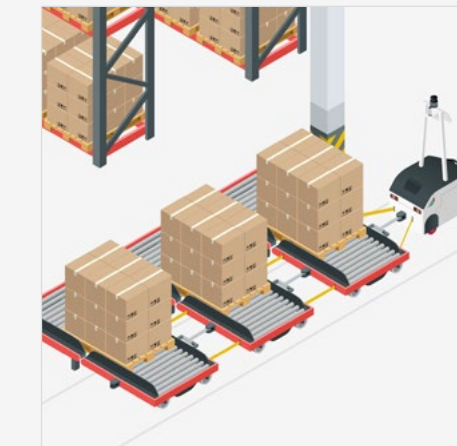
Reception & Shipment



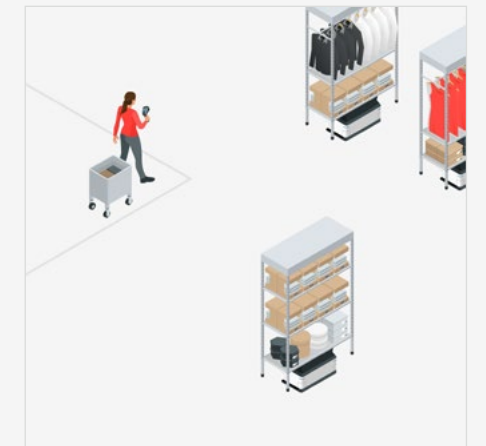
Robot cells



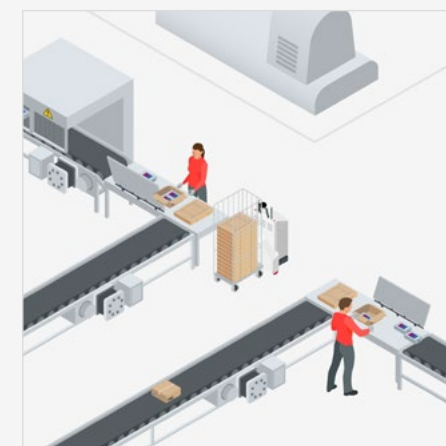
Kitting



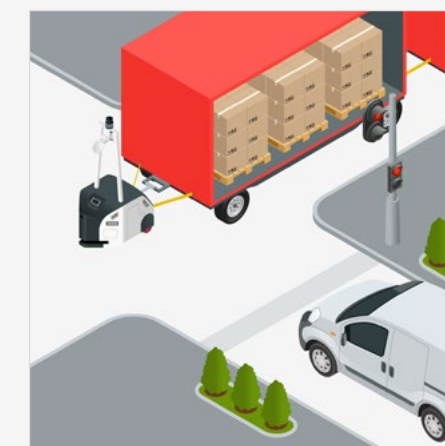
Horizontal transport



Multi-SKU management



Auxiliary flows



Outdoor



Our AGVs integrates cutting edge technology to provide a totally safe and flexible automation.

AGV Technology



ASTI Mobile Robotics is an expert in industrial processes, connectivity, and customer support.

Navigation Systems



Precise, reliable and flexible Navigation Systems

Our different technologies can be used for vehicle location and navigation throughout the installations.

- Magnetic navigation
- Laser navigation
- QR navigation
- SLAM-Natural navigation
- Dual navigation

Safety Systems



At ASTI Mobile Robotics, people come first

Automated guided vehicles are collaborative robots that move safely within industrial areas, coexisting with humans and manually-operated trucks. At ASTI Mobile Robotics, people come first, so we ensure that all of our products meet the most strictest safety regulations.

- Safety laser scanner
- Safety PLCs
- Warning systems
- Load sensors
- Fork tip sensors
- Photocells and bumpers
- Emergency stop buttons

Battery and Charging Systems



Our full line of Energy Systems

Provides an efficient charging strategy and powerful batteries to ensure the autonomy our AGVs need to operate.

Batteries

- Li-Ion
- Gel
- Lead-Acid

Charging systems

- Manual battery interchange
- Automatic battery interchange
- Online charging

Communication Systems



Making the AGVs dance at your facility's rhythm using our IT system

ASTI Mobile Robotics is an expert in industrial connectivity. Our system allow us to connect our vehicle fleets with the other systems, production lines, terminals, and management systems of our clients.

The IT system is divided into different modules which are responsible for carrying out all commands, regulating the priority of the AGV movements and managing two-way communication with all of the client's plant elements and management systems.



Our AGVs are equipped with a full range of safety systems.



Software and connectivity for Smart Factories

Today, ASTI is not only an enabler of Industry 4.0, but also a manufacturer of connected products with a clear strategy to offer its customers more and better connectivity and integration services, predictive maintenance or performance analytics.

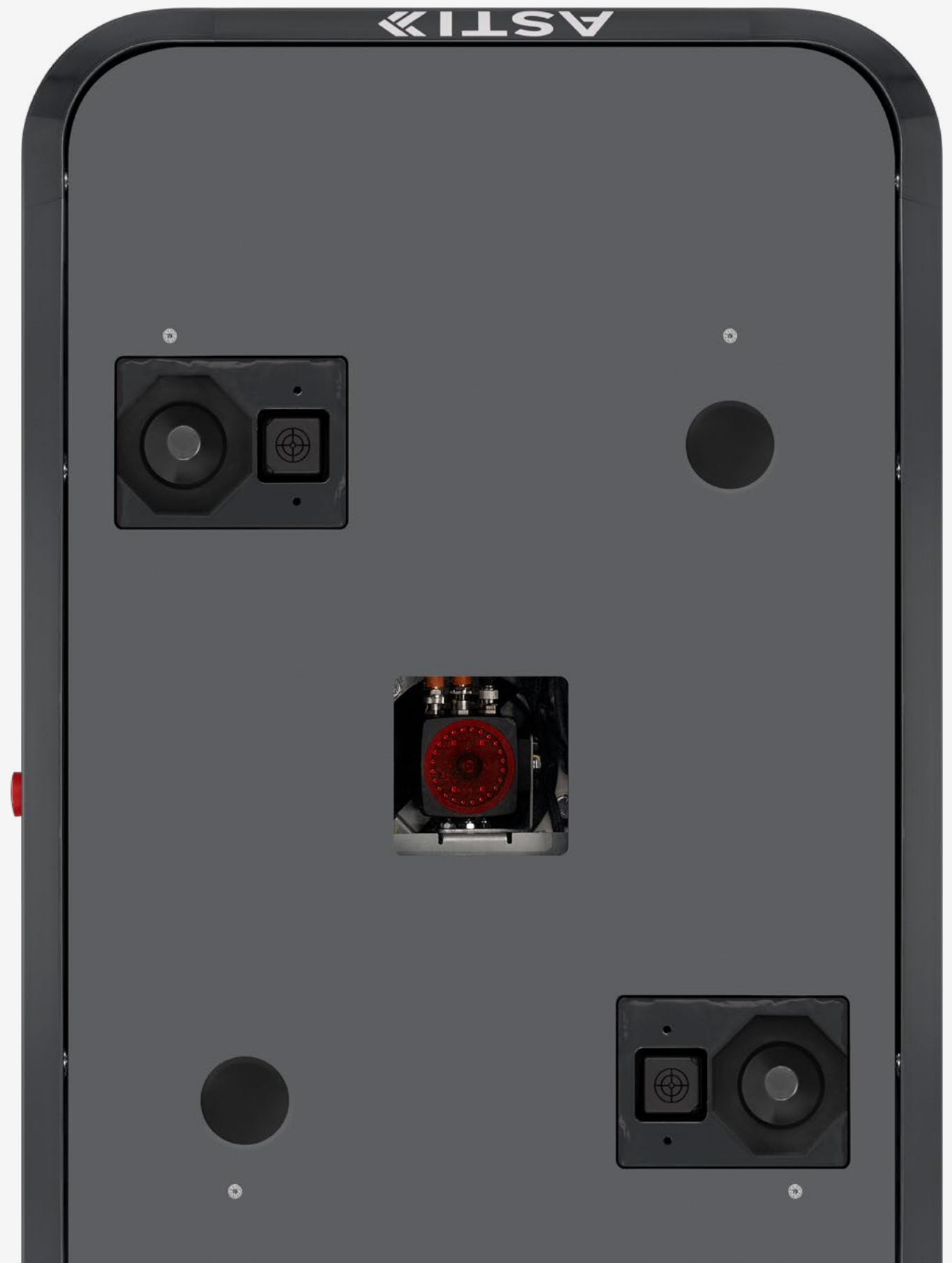
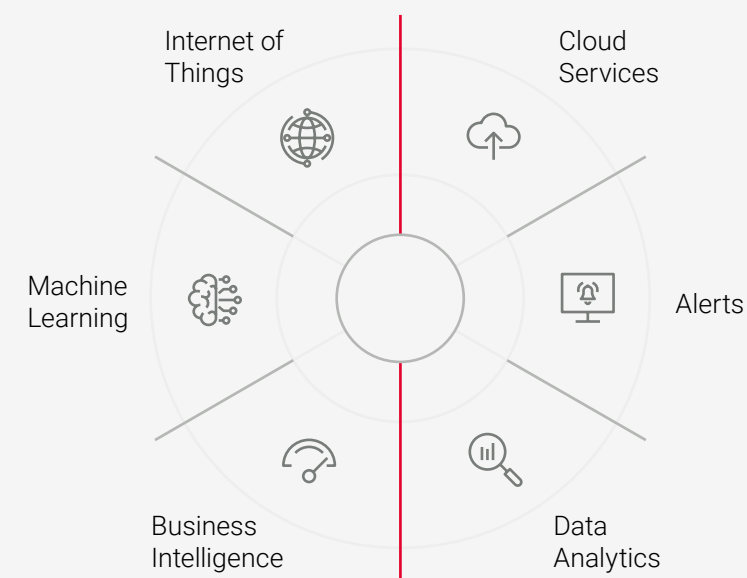


Discover our "ASTI Connected Services"

Connectivity can take your factory to the next level, optimising operations and processes and facilitating decision-making. Through real-time communication and by monitoring every vehicle of each unit or system within the value chain.

Real-time alerts, monitoring and diagnostics, remote software updates and customisable dashboards.

- IoT connectivity through M2M, WiFi, 4G LTE ...
- Improved productivity based on smart data analysis
- Visual and interactive reports
- Real-time dashboards
- Operating alerts
- Access via APIs, customisable dashboards, connection to other data sources and remote software updates

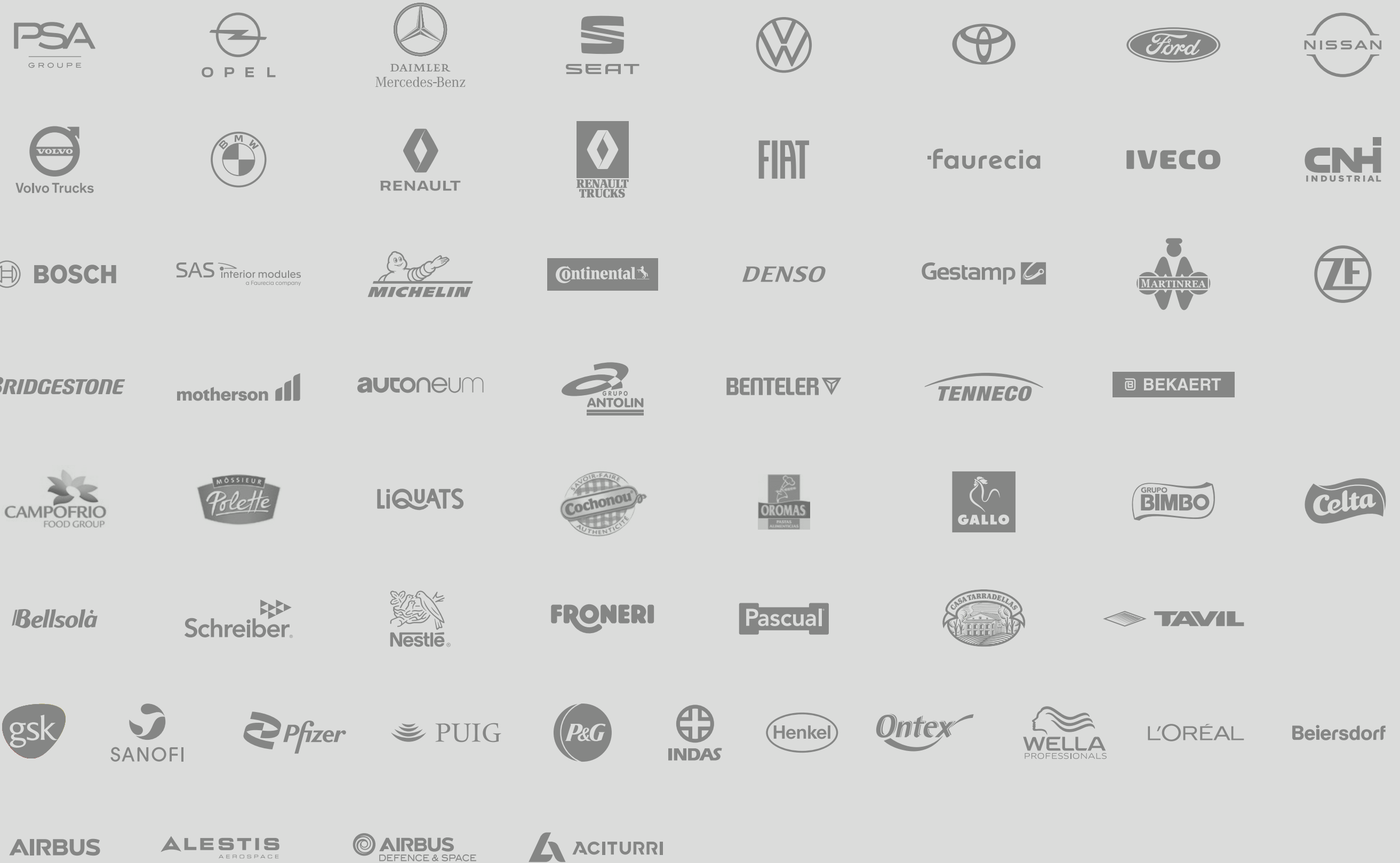




Customers



Creating long-term relationships with our customers.





SPAIN

Autovía A1, km. 213,5
09390 Madrigalejo del Monte
Burgos

Avenida de la Vega 1
Edificio Veganova 3
28108 Alcobendas
Madrid

FRANCE

22 Rue de Chemnitz
68200 Mulhouse

GERMANY

Wagner-Régeny-Straße 16
12489 Berlin

USA

600 E 2nd St
27889 Washington, NC

www.astimobilerobotics.com